

LEDHHRF5-6 Economy 5" / 6" Recessed LED Retrofit Module



| | |
|------------|--|
| Project: | |
| Type: | |
| Catalog #: | |



BAFFLE

STANDARD



APPLICATIONS

Economy 5" & 6" Recessed downlight retrofit solution with integrated LED power supply and thermal management system combined in a single compact unit designed to fit most standard 5" & 6" recessed cans.

ILLUMINATION

- Long life LEDs with up to 50,000 hours at 70% lumen maintenance.
- Choice of 3000K (±175), 4000K (±275) or 5000K (±283) color temperature with 80 CRI.
- Produces 800- 860 lumens output from luminaire.
- Uses 1.18W high power, high quality LEDs.

ELECTRICAL

- Dimmable to 10% with most dimmers.
- Save 75% compared to incandescent sources.
- High efficiency driver with a power factor $\geq .90$ with input power of 120V, 50-60Hz.
- Built-in LED Driver.
- Power consumption of 12 watts.
- Operation temperature of - 20°C- 40°C (-4°F- 104°F).

MOUNTING

- Easy installation with adjustable torsion spring.
- Torsion spring is designed to fit into 5" or 6" housing automatically without changing mounting tab.
- No tools required for installation.

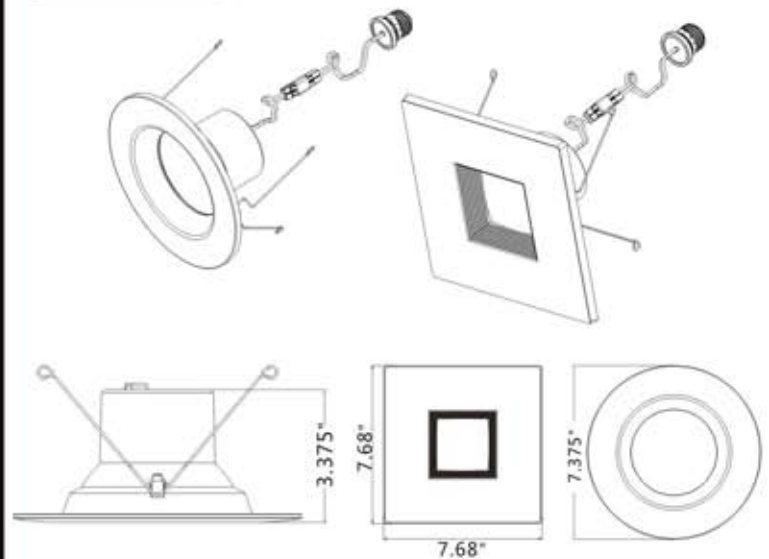
HOUSING

- Compatible with most 5" and 6" housings.
- Compatible with insulated, non-insulated, and air-tight ceilings.
- Durable thermoplastic construction.
- E26 medium screw-base Edison connector provides easy retrofit of incandescent housings.
- 6" square baffle snap-in (option).

WARRANTY/LISTING

- Tested in accordance with IESNA LM79 & LM80.
- ETL Listed for wet location.
- Energy Star qualified.
- Passes FCC Class B.
- Five year warranty on all electronics and housing.

DIMENSIONS



ORDERING INFORMATION

| MODEL | | | KELVIN RATING | | LUMENS |
|----------------------|----|--------------|---------------|-------|--------|
| LEDHHRF56-30K | BW | White Baffle | 3K | 3000K | 820 |
| LEDHHRF56-40K | BW | White Baffle | 4K | 4000K | 840 |
| LEDHHRF56-50K | BW | White Baffle | 5K | 5000K | 860 |